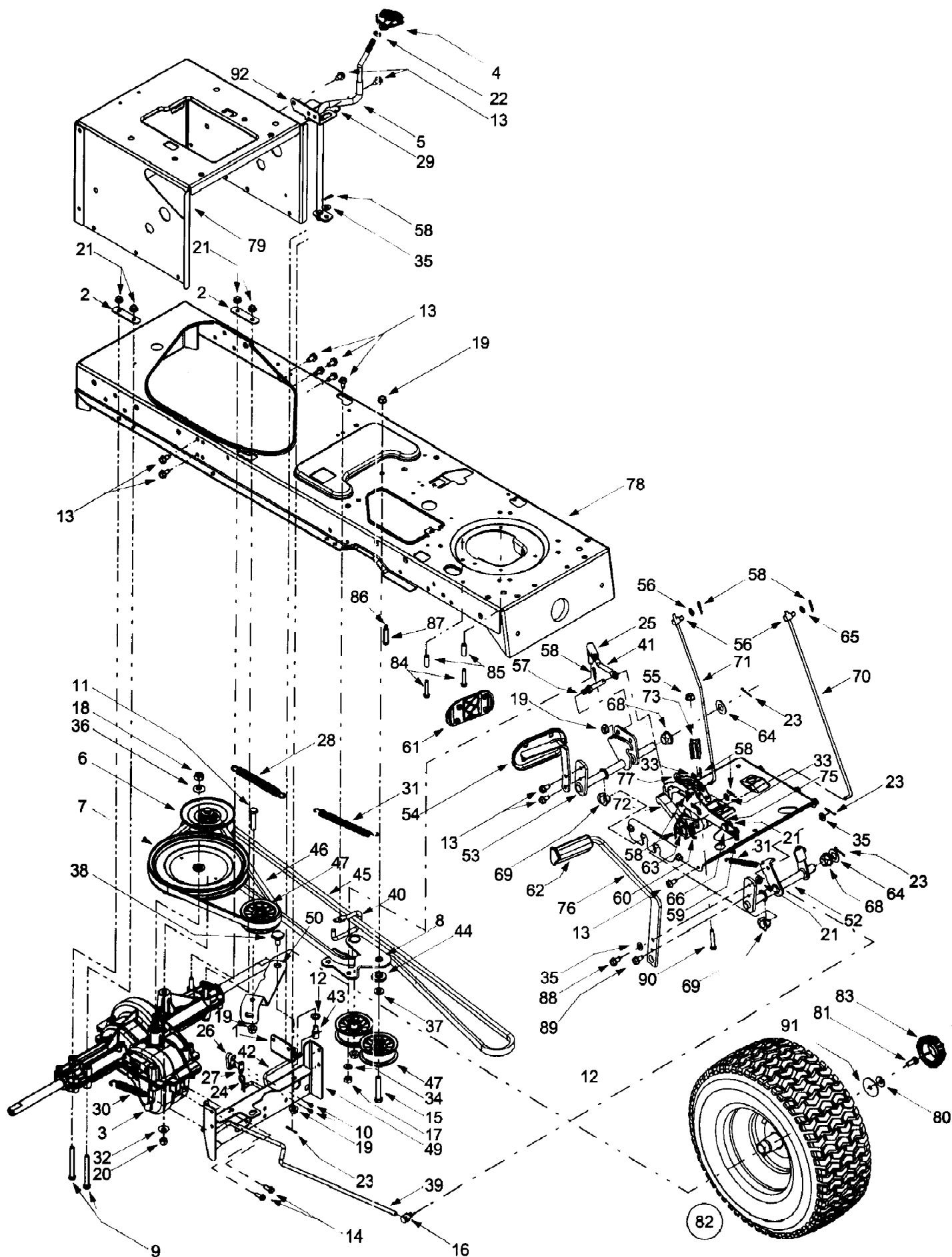


13AP606G190 LT-1500 (2001)  
Deck Assembly

Page 2 of 19

Ref #	Part Number	Qty	S/P/F	Description
1	16606	1	S	Retainer Hook
2	618-0565	1	S	Spindle Assembly, 5.75 Dia.
	756-0980	1		Pulley Only
3	683-0198D	1	S	42-inch Deck Shell
4	683-0254	1	S	Deck Adjustment Bracket w/ Weld Nut
5	736-0140	1	S	Flat Washer, .385 x .62 x .063
6	710-0520	1	/P	Hex Cap Screw, 1/4-20 x 1.5
7	710-0528	1	/P	Hex Cap Screw, 5/16-18 x 1.25
8	710-0604A	1	/P	Self-tapping Screw, 5/16-18 x .625
9	710-0751	1	/P	Hex Cap Screw, 1/4-20 x .62
10	710-1238	1	/P	Hex Head Washer Screw, 5/16-18 x .875
11	710-1260A	1	/P	Self-tapping Screw, 5/16-18 x .75
12	710-3151	1	/P	Hex Cap Screw, 5/8-18 x .875
13	712-0337	1		Hex Nut, 5/8-18
14	712-0417A	1	/P	Hex Flange Nut, 5/8-18
15	712-0431	1	S	Flange Lock Nut, 3/8-16
16	712-3004A	1	/P	Flange Lock Nut, 5/16-18
17	712-3006	1	/P	Hex Nut, 1/4-20
18	712-3027	1	S	Hex Flange Lock Nut, 1/4-20
19	714-0470	1	S	Cotter Pin, 1/8 x 1.25
20	716-3020	1	S	Internal Snap Ring
21	717-1553A	1	S	Deck Adjustment Gear
22	726-0233	1	/P	Push Nut. .25 x .5
23	731-1032B	1	S	Side Discharge Chute Assembly
24	731-2486	1	S	Belt Cover
25	732-0306	1	S	Compression Spring, .406 x .531 x 1.75
26	732-0470A	1	S	Extension Spring, .50 x 4.74
27	734-0973	1	/P	Deck Wheel, 5 x 1.38
28	736-0105	1	/P	Bell Washer, .401 x .87 x .063
29	736-0119	1	S	Lock Washer, 5/16
30	736-0158	1	S	Lock Washer, 5/8
31	736-0162	1	/P	Flat Washer, .64 x 1.0 x .12
32	736-0270	1	/P	Bell Washer, .265 x .75 x .062
33	738-0373	1	S	Shoulder Screw, .498 x 1.53
34	741-0524	1	S	Bearing, .625 x 1.574 x .470
35	742-0616	1	S	Three-in-one Blade, Star Center, 21.23"
36	747-1116	1	/P	Deck Release Pin
37	748-0331	1	S	Shoulder Spacer, .625 x .324
38	750-0932A	1	S	Spacer, .635 x .88 x 1.72
39	683-0440	1		Deck Brake Assembly
40	754-0498	1	S	Deck Belt
41	756-0627B	1	S	Idler Pulley, 3.5
42	756-1202	1		Double Pulley, 5.0
43	710-1830	1		Self-tapping Screw, 1/4-20 x 4.0
44	746-0970	1		Brake Cable, 5.05
45	783-1291	1	S	Idler Bracket
46	711-1534	1		Pin, 3/8-16, 3/8 x 3.27

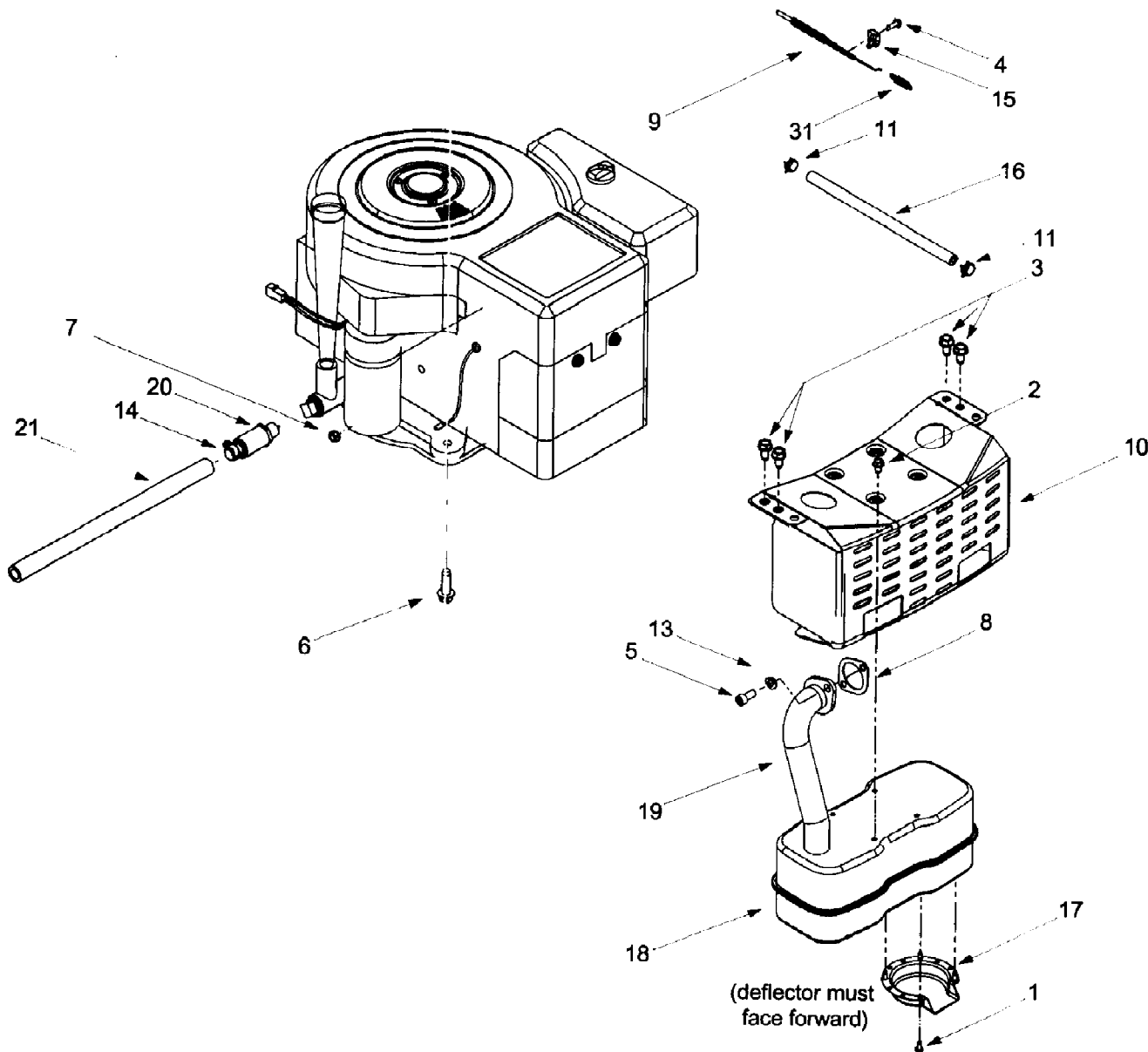


13AP606G190 LT-1500 (2001)  
Drive & Rear Wheels

Page 4 of 19

Ref #	Part Number	Qty	S/P/F	Description
1	783-1015	1	S	Shift Lever Support
2	17840	1	S	Transaxle Mounting Bracket
3	618-0551	1	S	Single-speed Transmission Assembly
4	631-0009	1	S	Shifter Knob
5	647-0045	1		Shift Lever
6	656-0048	1	S	Variable-speed Pulley Assembly
7	656-0051A	1	/P	Transmission Pulley, 8.5 x .5-36
8	683-0251	1		Double-idler Bracket
9	710-0189	1	/P	Hex Cap Screw, 5/16-18 x 3
10	710-0227	1	/P	Self-tapping Screw, #8-18 x .5
11	710-0347	1	/P	Hex Cap Screw, 3/8-16 x 1.75
12	736-0272	1	S	Flat Washer, .51 x 1.0 x .060
13	710-0604A	1	/P	Self-tapping Screw, 5/16-18 x .625
14	710-0642	1	/P	Self-tapping Screw, 1/4-20 x .75
15	710-3011	1	/P	Hex Cap Screw, 3/8-16 x 2.25
16	711-0677	1	S	Ferrule, 5/16-18
17	712-0241	1	/P	Hex Nut, 3/8-24
18	712-0378	1	/P	Hex Nut, 7/16-20
19	712-0431	1	S	Flange Lock Nut, 3/8-16
20	712-0798	1	/P	Hex Nut, 3/8-16
21	712-3004A	1	/P	Flange Lock Nut, 5/16-18
22	712-3008	1	S	Jam Nut, 3/8-16
23	714-0111	1	S	Cotter Pin
24	714-0149B	1	S	Internal Cotter Pin
25	723-3018	1	S	Ball Joint
26	725-1644	1		Short Spring Switch
27	726-0320	1	S	Insulator Nut Plate
28	732-0384	1	S	Extension Spring, .62 Dia. x 6.12
29	732-0525	1		Compression Spring Clip
30	732-0716	1	S	Extension Spring, .59 OD x 4
31	732-0963	1		Extension Spring, .50 Dia. x 6.37 hooks to flange in frame
32	736-0105	1	/P	Bell Washer, .401 x .87 x .063
33	736-0140	1	S	Flat Washer, .385 x .62 x .063
34	736-0169	1	S	Lock Washer, 3/8
35	736-3008	1	S	Flat Washer, .344 x .750 x .120
36	736-0407	1		Bell Washer, .45 x 1.0 x .602
37	736-3010	1		Flat Washer, .407 x .812 x .135
38	738-0322	1	S	Shoulder Screw, .625 x .217
39	747-1122	1		Brake Rod
40	747-1123A	1	/P	Belt Guard
41	747-1127	1		Idler Adjustment Rod, 3/8
42	647-0047A	1	/P	Shift Rod
43	711-0736	1	/P	Adjustment Ferrule, 1/4-20 x 1.0
44	738-0372A	1	S	Shoulder Spacer, .38 ID
45	754-0467	1	S	Variable-speed Belt
46	754-0468	1	S	Drive Belt
47	756-0981	1	S	Flat Idler, 2.75 OD
48	783-0637	1	S	Shift Lever Support
49	783-0667B	1		Transmission Torque Bracket
50	783-0669	1	S	Idler Bracket
51	783-0714	1	S	Adjustable Shift Bracket

Ref #	Part Number	Qty	S/P/F	Description
52	647-0031	1	S	Brake Control Assembly
53	647-0032	1	S	Speed Control Assembly
54	683-0266	1		Drive Pedal Assembly
55	712-0431	1	S	Flange Lock Nut, 3/8-16
56	711-0736	1	/P	Ferrule, 1/4-20
57	711-1363	1		Pin, 3/8-16 x 2.43
58	714-0104	1	S	Cotter Pin
59	732-0437	1		Compression Spring, .34 OD x 1.0
60	732-0955	1		Extension Spring, .50 OD x 1.41
61	735-0662	1		Drive Pedal Pad
62	735-3049	1	S	Brake Pedal Pad
63	736-0140	1	S	Flat Washer, .281 x .5 x .0625
64	736-0187	1	/P	Flat Washer, .64 x 1.24 x .06
65	736-0204	1	/P	Flat Washer, .344 x .062 x .03
66	738-0155	1	S	Shoulder Screw, .437 x 1.62
67	738-0507B	1	S	Shoulder Screw, .5 x .434
68	741-0225	1	S	Hex Flange Bearing
69	741-3065A	1	S	Split Hex Flange Bearing
70	747-1137	1		Cruise Control Rod
71	747-1138	1		Brake Lock Control Rod
72	748-0413	1		Cruise Latch
73	748-0415A	1	S	Spacer, 5/16 x 1.54
74	783-0653D	1	S	Steering Support Bracket
75	783-0732	1	S	Drive Lockout Bracket
76	783-0773	1		Brake Pedal
77	783-0780	1	S	Neutral Return Bracket
78	683-0304	1	S	Lower Frame Assembly
79	783-1031A	1		Hitch Plate
80	736-0242	1	/P	Bell Washer, .34 x .872
81	710-0627	1	/P	Hex Cap Screw, 5/16-24 x .75
82	634-0104	1		Wheel Assembly Complete, 20 x 8 x 8
82	634-0070	1	/P	Rim Only
82	734-0255	1	S	Air Valve (Not Shown)
82	734-1730	1		Tire Only, 20 x 8 x 8, Square Shoulder
83	731-2290A	1	/P	Hub Cap
84	710-0809	1		Self-tapping Screw, 1/4-20 x 1.25
85	750-0566A	1	/P	Spacer
86	710-1026	1	/P	Self-tapping Screw, 1/4-20 x 1.75
87	750-0768	1		Spacer
88	710-1260A	1	/P	Self-tapping Screw, 5/16-18 x .75
89	710-1650	1	/P	Self-tapping Screw, 5/16-18 x .875
90	710-0859	1	/P	Hex Cap Screw, 3/8-16 x 2.5
91	736-0430	1	/P	Flat Washer, .350 x 1.59 x .062
92	783-1016B	1	/P	Speed Control Rod Bracket

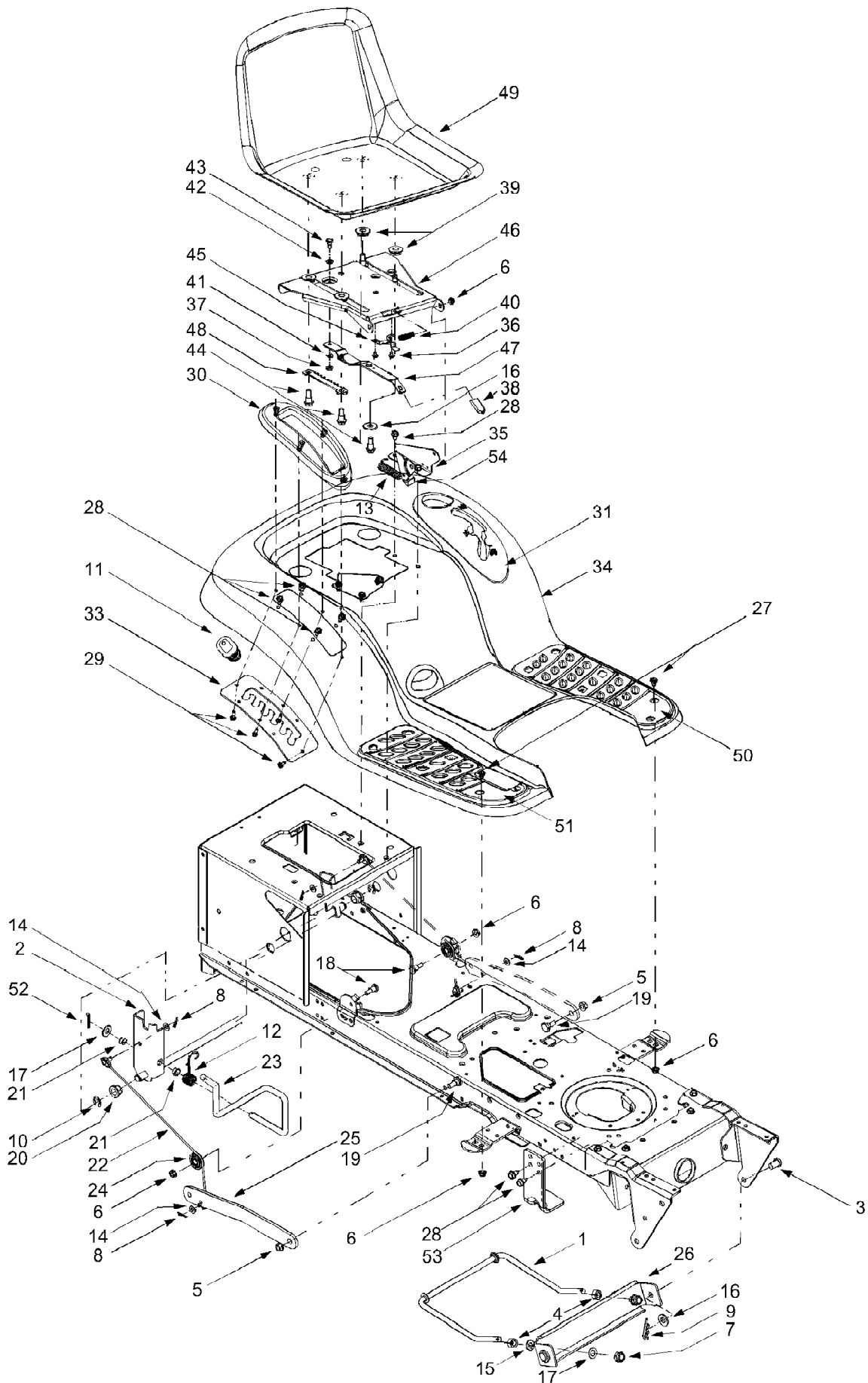


13AP606G190 LT-1500 (2001)  
Engine Accessories

Page 7 of 19

Ref #	Part Number	Qty	S/P/F	Description
1	710-0227	1	/P	Self-tapping Screw, #8-18 x .5
2	710-0599	1	/P	Self-tapping Screw, 1/4-20 x .5
3	710-0604A	1	/P	Self-tapping Screw, 5/16-18 x .625
4	710-1237	1		Screw, #10-32 x .625
5	710-1314	1	S	Socket Cap Screw, 5/16-18 x .625
6	710-1315	1	/P	Self-tapping Screw, 3/8-16 x 1.25
7	712-0271	1	/P	Sems Nut, 1/4-20
8	721-0208	1	S	Exhaust Gasket
9	746-1084	1	S	Throttle Cable
10	783-0615	1	S	Muffler Heat Shield
11	726-0205	1	/P	Hose Clamp
?12	732-0966	1		Extension Spring, .275 x 1.25
13	736-0119	1	S	Lock Washer, 5/16
14	751-3142	1		Oil Drain Cap
15	751B213146	1	/P	Casing Clamp
16	751-0535	1		Fuel Line Hose
17	751-0564	1	S	Muffler Deflector
18	751-0617	1	S	Muffler
19	751-0619	1	S	Exhaust Pipe
20	751-3140	1	S	Oil Drain Valve
21	751-3141	1	S	Oil Drain Hose
31		1		UNKNOWN

13AP606G190 LT-1500 (2001)  
Fender, Seat, Deck Stabilizer





13AP606G190 LT-1500 (2001)  
Fender, Seat, Deck Stabilizer

Page 9 of 19

Ref #	Part Number	Qty	S/P/F	Description
1	747-1130	1	S	Deck Stabilizer Rod
2	683-0197	1	S	Lift Shaft Assembly
3	711-0332	1	S	Clevis Pin, .5 x .78
4	712-0206	1	S	Hex Nut, 1/2-13
5	712-0431	1	S	Flange Lock Nut, 3/8-16
6	712-3004A	1	/P	Flange Lock Nut, 5/16-18
7	712-3083	1	/P	Hex Nut, 1/2-13
8	714-0104	1	S	Internal Cotter Pin
9	714-0145	1	S	Internal Cotter Pin
10	716-0106	1	/P	E-ring
11	720-0311	1		Handle Grip
12	732-0874	1	/P	Torsion Spring
13	732-1027	1		Extension Spring, .872 x 3.4
14	736-0275	1	S	Flat Washer, 5/16
15	736-0921	1	S	Lock Washer, 1/2
16	736-3019	1		Flat Washer, .31 x 1.062 x .134
17	736-3084	1	/P	Flat Washer, .51 x 1.12 x .06
18	738-0138A	1	/P	Hex Cap Screw, 5/16-18 x .62
19	738-0143	1	/P	Shoulder Screw, 3/8-16
20	741-0225	1	S	Hex Flange Bearing
21	741-0715	1	S	Snap Flange Bearing
22	746-0968	1		Lift Cable, 16.16
23	747-1111	1	S	Lift Handle
24	756-1154	1		Roller Pulley
25	783-0678A	1	S	Arm Lift
26	783-0720A	1	S	Deck Stabilizer Bracket
27	710-0260A	1	/P	Carriage Bolt, 5/16 x .62
28	710-0604A	1	/P	Self-tapping Screw, 5/16-18 x .625
29	710-0895	1		Self-tapping Screw, 1/4-15 x .75
30	731-1990	1		Lift Lever Cover
31	731-2104A	1	S	Shift Lever Cover w/ Cup Holder
32	738-0155	1	S	Shoulder Screw, .437 x 1.62
33	783-0677	1	S	Lift Adjustment Bracket
34	783-1279	1	/P	Fender
35	783-0715A	1	S	Seat Mounting Bracket
36	710-1268	1	/P	Screw, #10-16 x .375
37	712-3027	1	S	Hex Flange Lock Nut, 1/4-20
38	720-0309A	1	/P	Seat Adjuster Grip
39	731-1989	1		Spacer
40	732-0499	1		Compression Spring, .41 x 1.5
41	736-0175	1	S	Spring Washer, .265 x .562 x .025
42	736-0204	1	/P	Flat Washer, .344 x .62 x .03
43	738-0137A	1	S	Shoulder Screw, .340 x .285, 1/4-20
44	738-1007	1		Shoulder Screw, .50 x .50, 3/8-16
45	783-0611	1		Seat Stop
46	783-0738	1	S	Seat Pivot Bracket
47	783-0739	1		Seat Adjustment lever
48	783-0753	1		Seat Adjustment Selector
49	757-0380	1	S	Medium Back Seat, Black
50	735-0657	1		LH Foot Pad
51	735-0656	1		RH Foot Pad
	726-3046	1	/P	Foot Pad Clips (Not Shown)
52	714-0111	1		

13AP606G190 LT-1500 (2001)  
Fender, Seat, Deck Stabilizer

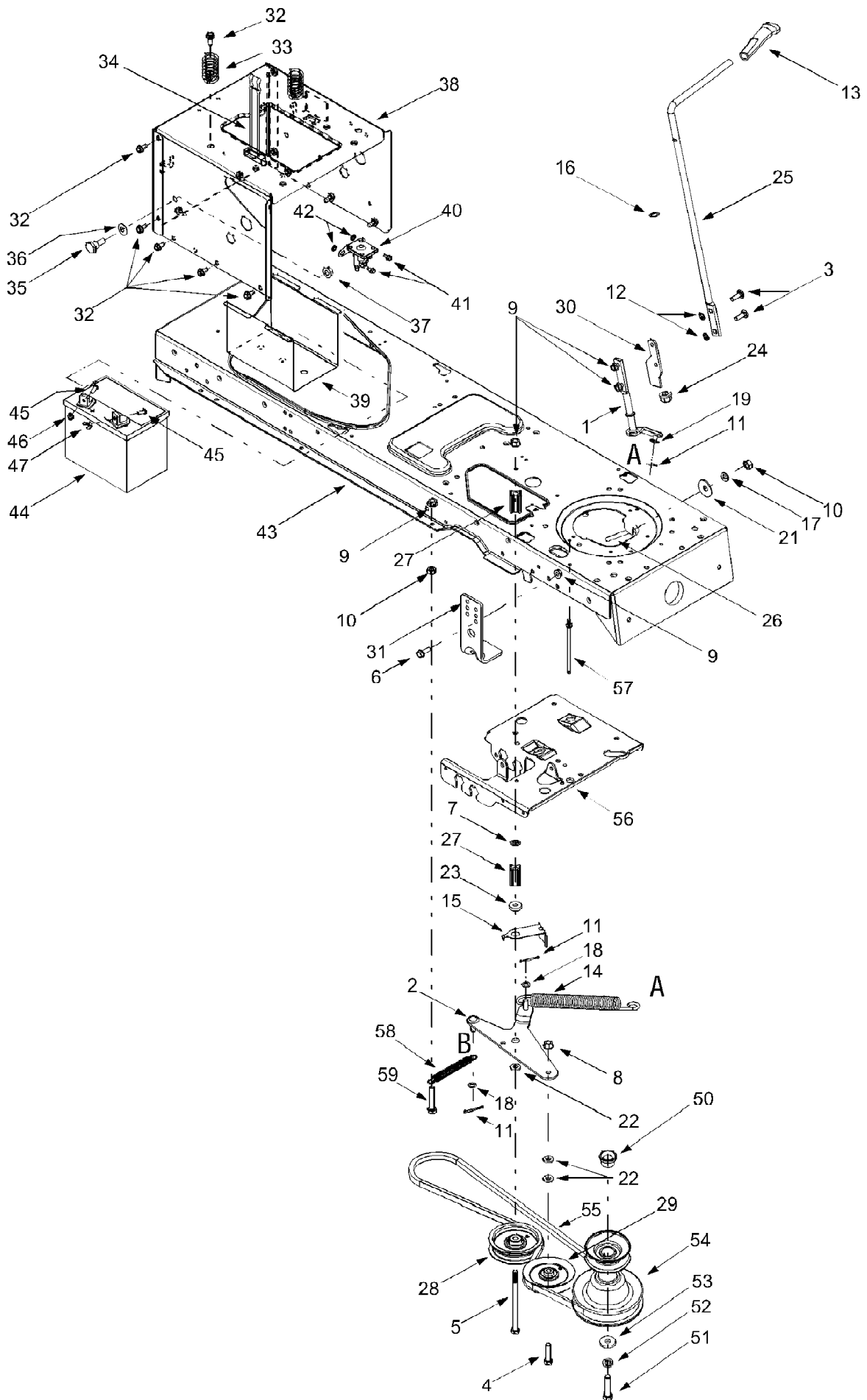
Ref #	Part Number	Qty	S/P/F	Description
53	783-0891B	1		Deck Stop
54	783-0209	1	S	Seat Lift Bracket



13AP606G190 LT-1500 (2001)  
Fuel Tank & Hood Assembly

Page 12 of 19

Ref #	Part Number	Qty	S/P/F	Description
1	710-3015	1	/P	Hex Cap Screw, 1/4-20 x .75
?2	710-0599	1	/P	Self-tapping Screw, 1/4-20 x .5
3	712-3006	1	/P	Hex Nut, 1/4-20
4	710-0895	1		Self-tapping Screw, 1/4-15 x .75
?5	710-0924	1	/P	Pan Phillips Screw, 1/4-20 x .75
6	710-0528	1	/P	Hex Cap Screw, 5/16-18 x 1.25
	710-3103	1	/P	Hex Cap Screw, 5/16-18 x 2.0
	750-0807	1		Spacer, .385 x .625 x .70
7	712-0292	1	/P	U-type Speed Nut, 1/4-20
8	712-3004A	1	/P	Flange Lock Nut, 5/16-18
9	726-0201	1		Speed Nut
10	747-1209	1	S	Hood Latch Rod
11	731-2286	1	S	Head Light Lens
12	683-0305	1	S	Hood Bracket Assembly
13	731-2283	1	S	Hood
14	731-2307	1	S	LH Side Panel
15	731-2308	1	S	RH Side Panel
16	736-0329	1	S	Lock Washer, 1/4
17	736-0342	1		Flat Washer, .283 x .75 x .030
18	736-0173	1	/P	Flat Washer, .28 x .74 x .063
19	736-3078	1	/P	Flat Washer, .349 x 1.0 x .063
20	710-0809	1		Self-tapping Screw, 1/4-20 x 1.25
21	731-2284	1		Hood Plenum
22	710-0604A	1	/P	Self-tapping Screw, 5/16-18 x .625
23	710-1017	1	/P	Torx Self-tapping Screw, 1/4-14 x .625
24	710-3217	1	/P	Torx Screw, #8-32 x .375
25	712-0142	1	/P	Hex Nut, 8-32
26	731-0069	1	S	Dash Panel, 4-style
27	731-0072	1		Parking Brake Button
28	731-1857	1		Throttle Control Lever
29	731-2106	1		Cruise Control Button
30	747-1155	1		Brake/Cruise Pivot Rod
31	749-1087	1	S	Dash Support Tube
?32	731-2232	1	S	Intake Bellow
33	751-0603	1	S	Fuel Cap
34	751-0659A	1	S	Fuel Tank, 2-gallon
35	725-1745	1	S	Ignition Key w/ plastic cover
	725-1744	1	S	Ignition Key w/o plastic cover
36	731-2272	1	/P	Heat Shield
37	783-1000A	1	/P	Grille Support Bracket
38	725-1976	1	S	Systems Indicator Monitor
39	725-1741	1	S	Ignition Switch
40	625-0051	1	S	Headlight Assembly
	629-0469A	1	S	Headlight Wire Harness (Not Shown)
	629-1071	1	S	Tractor Wire Harness (Not Shown)



13AP606G190 LT-1500 (2001)  
PTO Drive, Battery, Lower Frame

Page 14 of 19

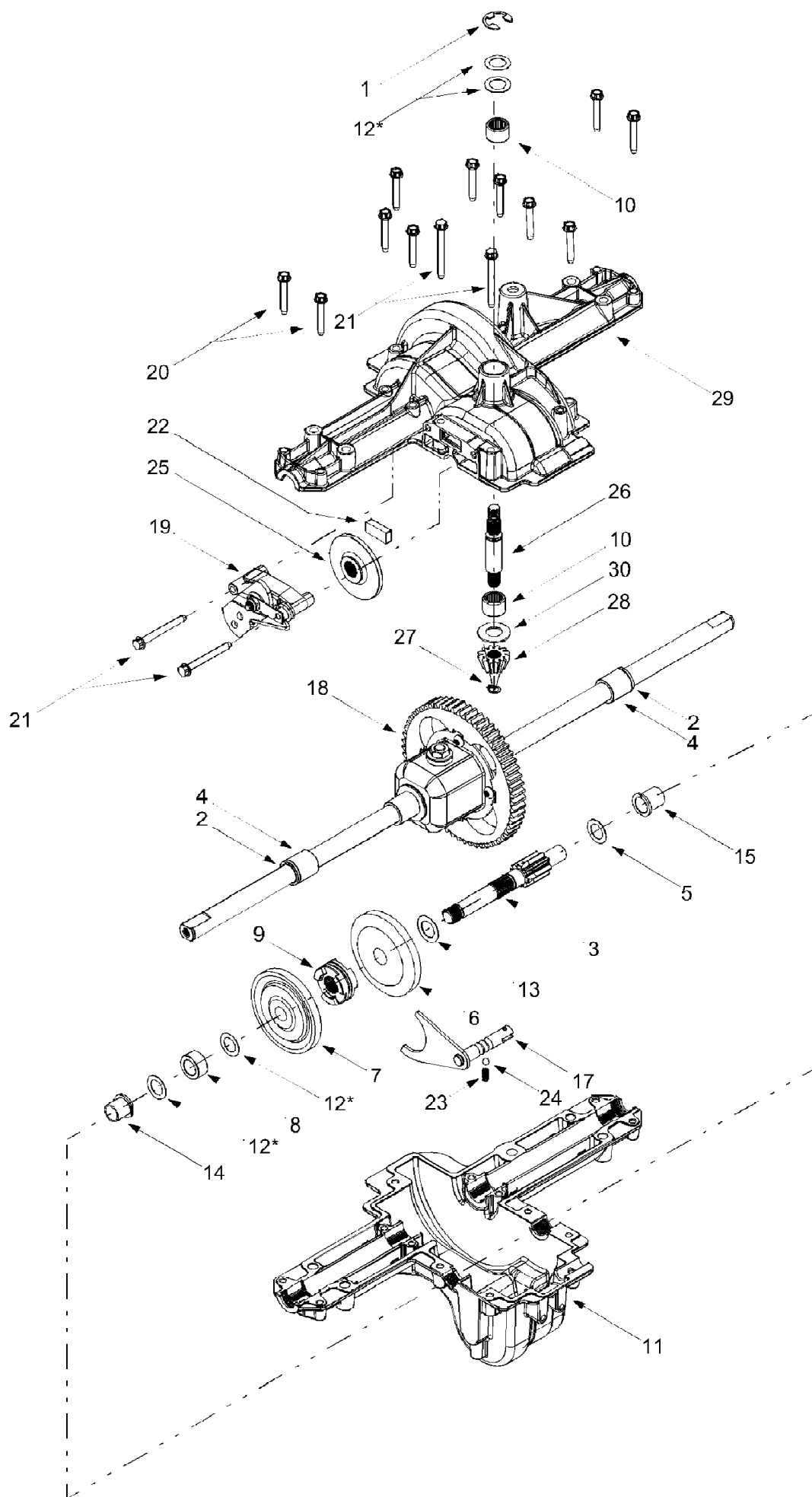
Ref #	Part Number	Qty	S/P/F	Description
1	647-0046A	1	S	PTO Engage Lever Assembly
2	683-0450	1	/P	PTO Engage Plate Assembly
3	710-0276	1	/P	Carriage Screw, 5/16-18 x 1.00
4	710-0520	1	/P	Hex Cap Screw, 3/8-16 x 1.5
5	710-0831	1		Hex Cap Screw, 3/8-16 x 5.5
6	710-1238	1	/P	Hex Head Washer Screw, 5/16-18 x .875
7	712-0229	1		Push Nut, 3/8
8	712-0431	1	S	Flange Lock Nut, 3/8-16
9	712-3004A	1	/P	Flange Lock Nut, 5/16-18
10	712-3010	1	S	Hex Nut, 5/16-18
11	714-0470	1	S	Cotter Pin, 1/8 x 1.25
12	726-0201	1		Speed Nut, .3125
13	731-2111A	1	S	PTO Knob
14	732-0944	1		Extension Spring, .75 x 6.75
15	732-0991A	1	/P	Belt Guard
16	736-0108	1	S	Flat Washer, .510 x .750 x .033
17	736-0119	1	S	Lock Washer, 5/16
18	736-0140	1	S	Flat Washer, .385 x .62 x .063
19	736-0275	1	S	Flat Washer, 5/16
?20	736-3000	1		Flat Washer, .406 x .875 x .059
21	736-0331	1	/P	Bell Washer, .39 x 1.13 x .062
22	736-3010	1		Flat Washer, .407 x .812 x .135
23	738-0372	1	S	Shoulder Spacer, .380
24	741-0708	1		Hex Split Flange Bearing, .5
25	747-1112D	1	S	PTO Engage Handle
26	747-1286	1	S	Belt Keeper Rod
27	748-0415A	1	S	Spacer, 3/8 x 1.54
28	756-0627B	1	S	Idler Pulley, 3.5
29	756-1208	1		Idler Pulley, 4.0
30	783-0744A	1		Engagement Stop
31	783-0891B	1		Deck Stop
32	710-0604A	1	/P	Self Tapping Screw, 5/16-18 x .625
33	732-3080	1	S	Compression Spring, 1.28 x 3.5
34	723-0444	1		Battery Strap
35	738-1020	1		Shoulder Screw, .625 x .5, 7/16-20
36	736-0407	1		Bell Washer, .45 x 1.0 x .062
37	712-0459	1	/P	Flange Lock Nut, 7/16-20
38	783-1031	1		Hitch Plate
39	783-0349	1		Battery Tray
40	725-1426	1	S	Solenoid, 12-Volt, 100 Amp
41	710-0599	1	/P	Self Tapping Screw, 1/4-20 x .5
42	736-0222	1	S	Lock Washer, 1/4
43	683-0304	1	S	Lower Frame Assembly
44	725-1706	1	S	12-volt Battery, 270 CCA
45	710-0751	1	/P	Hex Cap Screw, 1/4-20 x .62
46	712-0271	1	/P	Hex Sems Nut, 1/4-20
47	712-3044	1		Wing Nut, 1/4-20
50	750-0596	1		Spacer Cup
51	710-3029	1	/P	Hex Head Cap Screw, 7/16-20 x 1.25
52	736-0171	1	S	Lock Washer, 7/16
53	736-0322	1	/P	Flat Washer, .450 x 1.25
54	756-0982A	1	S	Engine Pulley, 3.56 OD x 5.56
55	754-0497	1		PTO Belt

13AP606G190 LT-1500 (2001)  
PTO Drive, Battery, Lower Frame

Page 15 of 19

Ref #	Part Number	Qty	S/P/F	Description
56	783-0653D	1	S	Steering Support Bracket
57	711-1044	1	S	Keeper Pin, 5/16 x 4.75
58	732-1165	1	S	Extension Spring, .50 x 5.0
59	710-3180	1	/P	Hex Cap Screw, 5/16-18 x 1.75

13AP606G190 LT-1500 (2001)  
Single Speed Transaxle

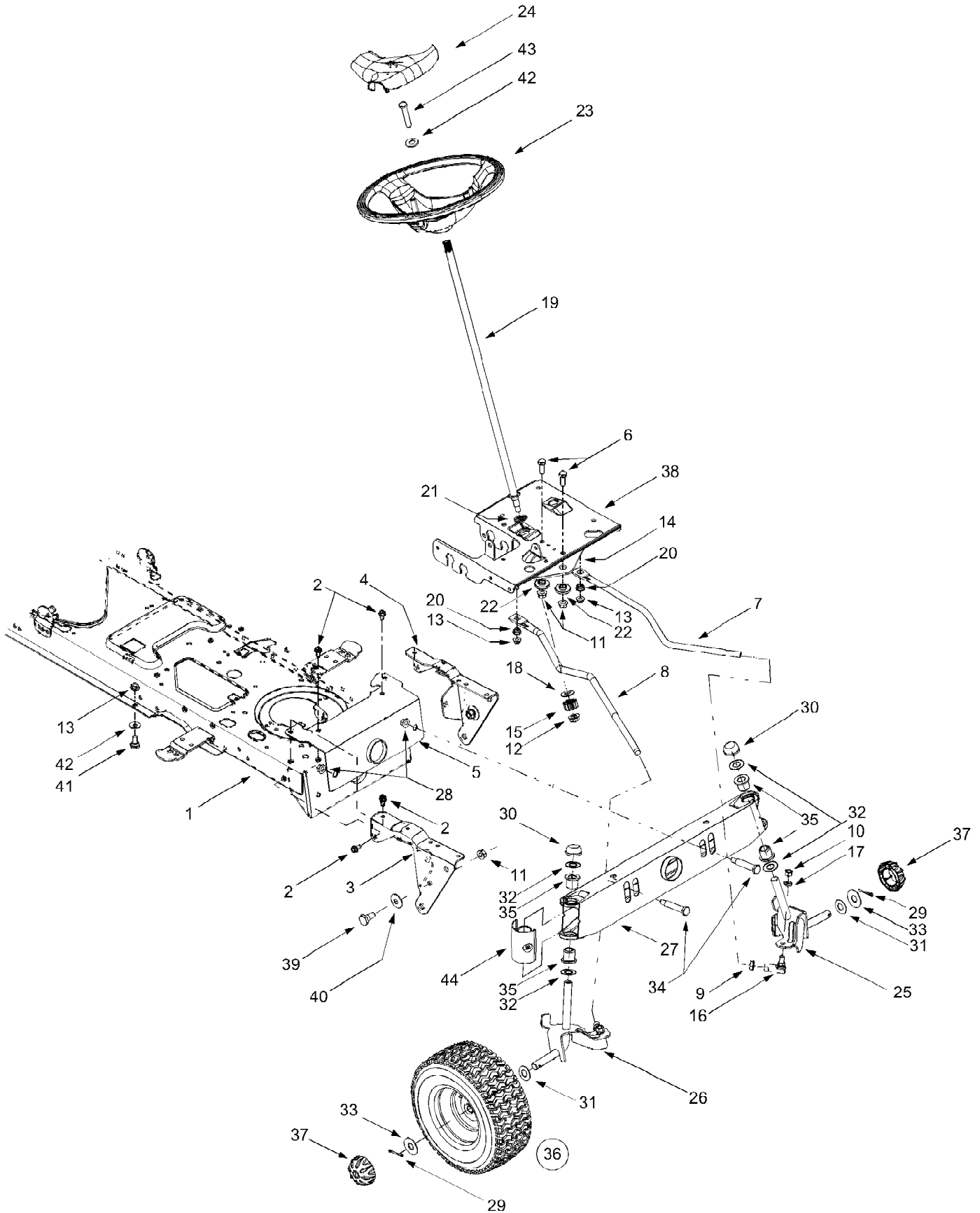




13AP606G190 LT-1500 (2001)  
Single Speed Transaxle

Page 17 of 19

Ref #	Part Number	Qty	S/P/F	Description
1	716-0231	1	S	E-ring, .75
2	721-0338	1	S	Seal, .75 x 1.0 x .125
3	711-1431	1		Drive Shaft
4	741-0340	1	S	Sleeve Bearing, .75 x .1.0 x 1.0
5	736-0495	1	S	Thrust Washer, 1.0 x .632 x .0
6	717-1362	1	S	42-tooth Bevel Gear
7	717-1363	1	S	42-tooth Bevel Gear
8	750-1234	1		Spacer, .633 x 1.0 x .513
9	718-0228	1		Clutch Collar
10	741-0525	1	S	Needle Bearing, .625 x .875
11	719-0394	1		Lower Housing
12		1		UNKNOWN
?12A	736-0336	1	S	Flat Washer, 5/8 x 1.0 x .030
?12B	736-0337	1	S	Flat Washer, 5/8 x 1.0 x .040
?12C	736-0349	1	S	Flat Washer, 5/8 x 1.0 x .020
13	736-0519	1	S	Flat Washer, .70 x 1.125 x .031
14	741-0336	1	S	Flange Bearing, 5/8 x 3/4 x 3/4
15	741-0337	1	S	Flange Bearing, 5/8 x 3/4 x 15/16
?16	750-1238	1		Spacer, .635 x 1.0 x .27
17	611-0133	1		Detent Shaft Assembly
18	618-0424	1	S	Differential Assembly
19	661-0006	1	S	Brake Assembly
20	710-1325	1	/P	Self-tapping Screw, 1/4-20 x 1.625
21	710-1206	1	/P	Self-tapping Screw, 1/4-20 x 2.375
22	717-0678	1	S	Brake Pad
23	732-0863	1	S	Compression Spring
24	741-0862	1	/P	Detent Ball
25	761-0202	1		Brake Disc
26	711-1430	1		Input Shaft
27	716-0108	1	S	Retaining Ring, .437
28	717-1464	1		14-tooth Bevel Pinion
29	719-0391A	1	S	Upper Housing
30	736-0723	1	S	Thrust Washer, .635 x 1.25 x .042



13AP606G190 LT-1500 (2001)  
Steering, Front Wheels & Axle

Page 19 of 19

Ref #	Part Number	Qty	S/P/F	Description
1	683-0304	1	S	Lower Frame Assembly
2	710-0604A	1	/P	Self-tapping Screw, 16-18 x .625
3	783-0726A	1	S	RH Pivot Support Bracket
4	783-0727	1	S	LH Pivot Support Bracket
5	783-0728	1		Pivot Bar Bracket
6	710-0514	1	/P	Hex Cap Screw, 3/8-16 x 1 (Grade 5)
7	711-1409A	1	/P	LH Drag Link
8	711-1408	1		RH Drag Link
9	712-0240	1	S	Jam Nut, 7/16-20 (Grade 2)
10	712-0241	1	/P	Hex Nut, 3/8-24 (Grade 2)
11	712-0431	1	S	Flange Lock Nut, 3/8-16
12	712-0459	1	/P	Flange Lock Nut, 7/16-20
13	712-3004A	1	/P	Flange Lock Nut, 5/16-18
14	717-1550A	1	S	Steering Gear, 11/90 Ratio
15	717-1554	1		Steering Pinion Gear
16	723-0448A	1	S	Ball Joint, 7/16-20
17	736-0169	1	S	Lock Washer, 3/8
18	736-3084	1	/P	Flat Washer, .51 x 1.12 x .06
19	738-1001	1	S	Steering Shaft, .625 OD x 24.4
20	741-0475	1	S	Plastic Bushing, .38 ID
21	741-0656	1	S	Hex Flange Bearing, 5/8
22	738-0372	1	S	Shoulder Spacer, .38 ID
23	731-2295	1	S	Soft Touch Steering Wheel
24	731-2296	1		Steering Wheel Cap
25	638-0019	1	S	LH Axle Assembly, .625 Diameter
26	638-0020	1	S	RH Axle Assembly, .625 Diameter
27	683-0128A	1	S	Pivot Bar
28	712-0431	1	S	Flange Lock Nut, 3/8-16
29	714-0470	1	S	Cotter Pin
30	726-0214	1	/P	Push Cap, .625
31	736-0162	1	/P	Flat Washer, .64 x 1.0 x .12
32	736-0187	1	/P	Flat Washer, .64 x 1.24 x .06
33	736-0285	1	/P	Flat Washer, .635 x 1.589 x .06
34	738-1011	1	S	Shoulder Screw, .5 x 2.2, 3/8-16
35	741-0659	1	S	Flange Bearing, .632 ID x .937 OD
36	634-0115	1		Wheel Assembly Complete, 15 x 6 x 6
36	634-0051	1	S	Rim Only w/ Ball Bearing
36	734-0255	1	S	Air Valve (Not Shown)
36	734-1731	1		Tire Only, Square Shoulder
37	731-2290A	1	/P	Hub Cap
38	783-0653D	1	S	Steering Support Bracket
39	738-0143	1	/P	Shoulder Screw, 3/8-16
40	736-0331	1	/P	Bell Washer, .39 x 1.13 x .062
41	738-0140	1	S	Shoulder Screw, .435 x .178, 5/16 x .56
42	736-0242	1	/P	Bell Washer, .34 x .872
43	710-0643	1	/P	Hex Bolt, 5/16-18 X 1
44	731-1291A	1	S	Pivot Bar End Cap